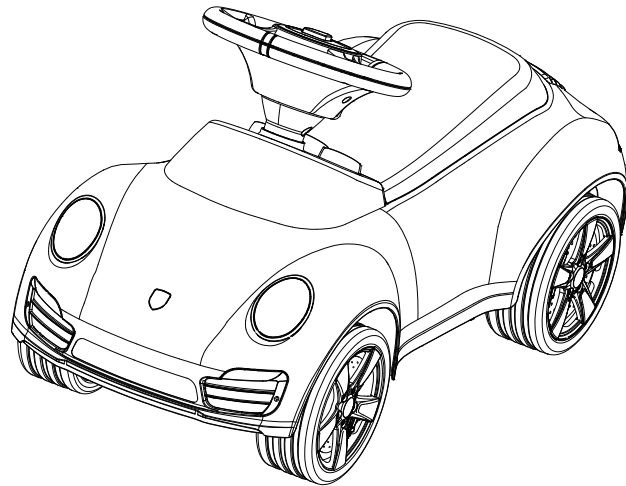
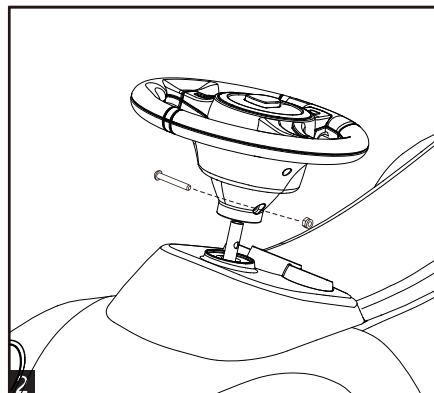
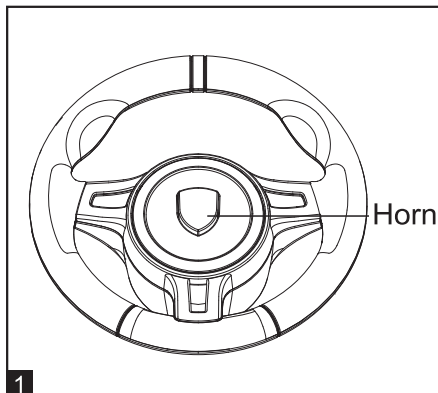


INSTRUCTIONS

This manual is applicable to following type of products:



Assembly



- Install the steering wheel on the shaft, then fasten with bolt and hex nut.

WARNING

Please read carefully since it contains important information.

- Ride-on operation should be under adults' supervision.
- This product should be assembled by adult; or checked by adult to make sure proper assembly.
- It is prohibited to run this ride-on in public streets, roads, slope, near swimming pool, or any other dangerous area.
- This ride-on can not be overloaded. The maximum loading capacity is 20 kilograms.
- This ride-on is for children age between 18months old - 36months old.
- Some accessories of ride-on may be damaged by improper operation.
- This product is made of plastics. Please keep it away from fire.
- Do not let children touch wheels in case being trapped or crushed. Please keep other children away from the ride-on during running.
- Flat ground is good for ride-on running. Please avoid running on sand or any other rough ground.
- The package of ride-on is not toy for children.
- Adults are required to read this instruction carefully and give correct guideline to children before playing.
- The toy shall be used with caution, since skill is required to avoid falls or collisions causing injury to the user or third parties.

Porsche, the Porsche shield and the distinctive design of Porsche cars are trademarks and trade dress of Porsche AG. Permission granted.

Licensee: RASTAR GROUP

Manufacturer: XINGHUI BABY SUPPLIES CO.,LTD.

Add : North Area, Zhaoan Industrial Park, Zhangzhou, Fujian, China.

Http://www.rastar.cn



WARNING:

- 1.This ride-on is for children age between 18 to 36 months.
- 2.The product should be used under the adult's coustodies.
- 3.Don't run in the dangerous Places or in the street or the muddy ground.
- 4.Loading capacity of weight is 20kgs.